

文件名称: 纳拓户外12合1雷鸣音乐手电说明书
 成品尺寸: 60x120mm
 展开尺寸: 480x120mm
 印刷材质: 105克双铜纸
 印刷颜色: Pantone color gray 10C (单色印刷)
 印刷工艺: 风琴折页, 做压痕
 文件日期: 2022-11-11




扫码观看操作视频

产品特点

- 十二合一多功能实用手电,集合白/红/绿/蓝调焦手电、无线音箱、音乐律动灯、工作灯、营灯、拾音氛围灯、警示灯、声光警报、充电宝于一体。
- 全方位覆盖生活场景,无论是车载通勤、自驾户外,安全防护,都能及时满足用光需求。
- 主灯配备900流明高亮白光,最近照射距离达245米,还有红、蓝、绿光,伸缩调焦,轻松切换聚/泛光。
- 360度无极调节侧光灯,照明警示两不误,自带磁吸固定和三脚架接口,解放双手实现定点照明。
- 配备无线音箱和音乐律动灯,随时随刻享受美妙声光体验。
- 搭配拾音氛围灯,感受音乐律动。
- 警报器+强光爆闪,防范危险双保障。
- 可作为应急充电宝,突发情况保证手机正常工作。

性能参数

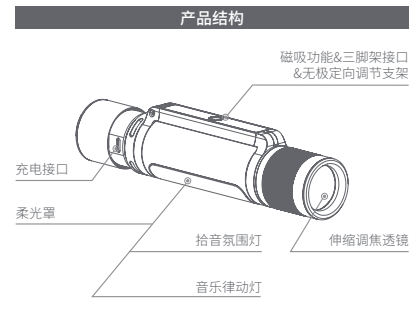
实测光电参数	亮度	续航时间	最近照射距离	防水等级	抗摔高度
手电筒	白光	35m~900lm	2.4h~40h	245m	IPX4 1m
	红光	3lm~95lm	3h~32h	--	
	绿光	6lm~160lm	4h~48h	--	
	蓝光	0.5lm~20lm	4h~45h	--	
侧灯照明	白光	5lm~145lm	4h~45h	12m	
	七彩渐变	--	--	--	
	拾音灯	--	--	--	
	红光	11m~4.5lm	15h~30h	--	
喇叭警报模式	--	3h	--	--	

规格: 173mm(长)×36mm(宽)×43mm(高) ± 2mm
 重量: 246g± 5g (含电池)
 材料: 金属: 6061铝合金
 塑料: ABS,PA66+30%GF,PMMA
 充/放电: Type-C充电,5V ↔1A, 充电时间约3.5h;
 USB-A放电,5V ↔1A, 移动电源容量1400mAh
 电池: 18650×1 (2600mAh 3.6V 9.36Wh)
 喇叭功率: 402W

NE20161纳拓户外12合1雷鸣音乐手电使用说明书

使用产品前请仔细阅读本说明书,并妥善保管

产品结构



磁吸功能&三脚架接口 &无极定向调节支架
 充电接口
 柔光罩
 拾音氛围灯
 伸缩调焦透镜
 音乐律动灯
 报警器
 无线音箱
 放电接口
 尾部开关

使用无线音箱播放音乐

- 长按上方音乐按键 **♪** 1.5S, 绿灯亮;
- 进入手机蓝牙设备清单中,查找“NexTool Thunder”设备并连接;
- 连接成功,蓝灯亮,即可通过音箱播放音乐;
- 音乐模式下,长按 **▶** 键2秒重置无线音箱连接配对。

操作说明

- 1.开机/关机**
 长按主开关 **⏻** 1.5S 开机,再长按 1.5S关机。
- 2.手电亮度调节**
 单击 +/- 键调节各灯亮度。
- 3.手电主灯颜色调节**
 手电模式下,连续轻按主开关 **⏻**,可循环切换:白光→红光→绿光→蓝光。
- 4.手电/侧光灯模式切换**
 开机状态下,快速双击主开关 **⏻**,进行手电模式与侧灯模式切换。
- 5.侧光灯/警示灯/氛围灯/拾音灯模式切换**
 侧光灯模式下,连续轻按主开关 **⏻**,可循环切换:白光→七彩渐变→拾音灯→红光→红光闪。
- 6.音乐模式切换和连接**
 长按上方音乐按键 **♪** 1.5S,启动/关闭音乐模式。启动后,未连接音源设备侧灯显示绿灯,连接成功后显示蓝灯,播放音乐后连接指示灯熄灭。
- 7.音乐模式暂停和播放**
 播放音乐过程中可通过音乐按键 **⏸** 进行暂停/播放操作。
- 8.音乐模式切换歌曲**
 播放音乐过程中可通过下方 **⏮** **⏪** 键播放上一曲,双击 **⏮** **⏪** 键播放上一曲。
- 9.音乐模式音量调节**
 在开启音乐模式下,长按 +/- 键调节喇叭音量。
- 10.音乐模式律动**
 开启音乐模式下双击音乐按键 **♪** 开启/关闭侧灯音乐律动。
- 11.雷鸣警报模式**
 任意状态下长按主开关 **⏻** 3.5S,即可启动/关闭雷鸣警报模式。雷鸣警报模式下,手电筒及侧灯全部循环警闪(爆闪三下切换一种光色),喇叭发出警报声。
- 12.强制关机模式**
 任意模式下长按 **▶** **▶** 键4秒一键强制关机。

13. Type-C 充电

按照手电底部按钮标志方向旋开手电至看到 USB Type-C 充电口,在5V ↔1A电源或USB适配器下,插入标配的 Type-C 充电线即可充电。(充电时,指示灯显示为红灯闪烁,充满后显示为红灯常亮)

14. 应急充电宝

常温下 USB-A 口输出额定容量: 1400mAh (5V ↔1A)。(USB-A 开启放电时放电指示灯显示蓝色常亮,停止放电后32秒熄灭放电指示灯)
 开机或USB-A放电时,放电指示灯亮起,当放电指示灯蓝灯闪烁时为低电量警示,请及时对手机充电。

注意事项

- 当手电沾到海水或腐蚀性物品时,请及时清理擦干;
- 本品电池包含锂离子电池,严禁私自拆开电池外壳,避免可能造成的电芯破损或其他危险;
- 严禁任意拆解、挤压、穿刺、短路本产品,投入火中或暴露于温度高于60°C的环境中;
- 由于手电筒光线太强,请勿给儿童玩耍及对人眼照射,以免对眼睛造成伤害。

保修条款

本保修政策是制造商(我们)向最终用户(您)提供维修和其他相关事宜的法律文件,请您妥善保管。如您购买商品时销售商或其他第三方声明将由其提供保修服务或其他更多服务的,则保修服务或其他服务将由销售商或第三方提供。

一、说明

本保修服务仅适用于符合出厂配置的产品或其部件在保修期内经正常使用后出现保修范围内的性能故障。保修范围内性能故障的界定,如国家有相关规定的,依据国家规定;如无规定,将由我们依据本保修政策判定。

二、保修期

保修期自产品交付之日起算一年。网络、电话或其他非现场交易的交付日以第三方物流记录的交付时间为交付日,其他情形均以发货日为交付日,但如您能证明有效非本公司的邮单号或发货日期早于实际交付目的,经我们认可后可以实际交付日为准。如您无法提供有效的第三方物流交付信息或发票的,则保修自产品出厂后三十日起算。具体保修期和其他事宜,请参见本保修卡。

三、服务获取和配合

您可以按照如下方式联系我们以获取保修服务:
 A. 致电:0662-3692722;
 B. 联系您实际购买时的销售平台。
 申请保修时,您应提供清晰、完整和准确的①产品发票;②保修卡;③电商平台订单信息(如有);如您无法提供但不能确认产品来源的,您将无法获得保修服务。

四、保修政策

- 自保修期起始后7日内,产品出现性能故障,经由我们或授权的售后服务中心检测确定,可免费享受退换货或维修服务,退换货,保修期将重新计算。
- 自保修期起始后8-15日内,产品出现性能故障,经由我们或授权的售后服务中心检测确定,可免费享受退换货或维修服务,退换货,保修期将重新计算。
- 自保修期起始后12个月内,产品出现性能故障,经由我们或授权的售后服务中心检测确定,可免费享受维修或更换服务,维修或更换的产品将在原产品在剩余保修期内继续享有保修服务,剩余保修期不足3个月的,则剩余保修期延至3个月。

退换货时,您需将产品随附件及包装一并完整退还,并保持产品本身、附属配件、产品外包装不存在任何破损、划伤、损坏;维修的,维修时更换上的部件归属于您,旧件将被我们回收。


属于保修范围内的产品硬件故障,由我们承担物流费用和保修产生的其他费用,经确认不属于保修范围内的故障或损坏的,除非届时另有规定,由您承担往返运费(如有)和运输过程中的风险。



五、非保修范围

下列情况不提供保修:
 1) 因误用、意外、改装、私拆、进液或不适当的物理或操作环境,不可抗力,不当维护或保管等导致的故障或损坏;
 2. 未经我们授权的机构或个人私自拆卸或维修;
 3. 产品使用过程中发生的险色、磨损和消耗;
 4. 随产品送出的相关标签、标识被更改或去除,如:保修卡上产品信息或序列号与实物不相符合,或有涂改的;
 5. 部件有明显的磕碰损伤、伤痕、缺角、严重变形、被拆等现象;
 6. 产品超出保修期。

保修卡

产品信息	品名	型号	电话
用户信息	姓名	地址	
销售商信息	名称	地址/网址	电话
	销售日期	发票号码	

如有售后服务需求,请联系广东百创科技股份有限公司客服部门
 售后服务电话:0662-3692722
 服务时间:周一至周五 8:00 - 17:15
 制造商:广东百创科技股份有限公司
 地址:广东省阳江市江城阳帆科技园B-3

 售后热线 服务热线公众号

Please scan then watch the operation video

FEATURE

- Twelve in one practical multi-functional flashlight, white/red/green/ blues focus flashlight, Bluetooth speaker, music rhythm light, work light, camp light, sound atmosphere light, warning light, sound and light alarm, power bank in one.
- Full coverage of different life scenes-whether it is for commuting, outdoor self-driving tour, or security defense, Thunder can meet the demand for light in time.
- The maximum brightness of the flashlight is 900 lm, and the farthest beam distance is 245 meters. The main lamp is equipped with high bright warm white, red, blue and green light.It adopts a Fresnel patented lens, telescopic focusing, and quick switching between spotlight and floodlight.
- With 360 degree adjust angle, the side lamp is functioning either as an illumination light or a warning light. With a magnetic fixing system and tripod, it frees your hands when being used.
- Equipped with wireless speaker and music atmosphere lamp, you can enjoy wonderful sound and light experience at any time.
- With the sound atmosphere lamp, you could feel the rhythm of music.
- High alarm plus strong light strobe, offers double guard against danger.
- It can be used as an emergency power bank to ensure the normal operation of the phone in emergencies.

SPECIFICATIONS

Measured Photoelectric Parameters	Brightness	Run Time	Beam Distance	Water Resistance	Impact Resistance
Focusing Flashlight	White Light	35m~900lm	2.4h~40h	245m	IPX4 1m
	Red Light	3lm~95lm	3h~32h	--	
	Green Light	6lm~160lm	4h~48h	--	
	Blue Light	0.5lm~20lm	4h~45h	--	
Mode	White Light	5lm~145lm	4h~45h	12m	
	Colorful Light	--	--	--	
	Sound Atmosphere Lamp	--	--	--	
	Red Flash Light	11m~4.5lm	15h~30h	--	
Speaker Alarm Mode	--	3h	--	--	

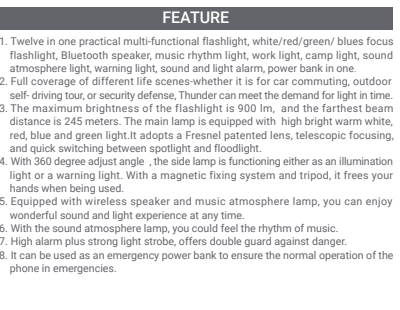
Dimensions: 173mm(L)×36mm(W)×43mm(H) ± 2mm
 Weight: 246g± 5g (Battery included)
 Material: Metal: 6061 Aluminum Alloy
 Plastic: ABS,PA66+30%GF,PMMA
 Charge-discharge: Input: 5V ↔1A, charge time ≈3.5h;
 Output: 5V ↔1A, Rated Capacity: 1400mAh
 Battery: 18650×1 (2600mAh 3.6V 9.36Wh)
 Speaker KW: 402W

All the above parameters are tested strictly according to Q/GDBCY 015-2019 standards. The tested battery is 18650(2600mAh 3.6V 9.36Wh) lithium-ion batteries. Performance parameters may vary depending on test battery or environmental conditions.

User manual of NexTool Outdoor 12 in 1 Thunder Music Flashlight

Please read this manual before using and keep it carefully

STRUCTURE



Magnetic Fixing System & Tripod Mount Connection & Direction Adjustable Holder
 Charging Interface
 Diffuser
 Sound Atmosphere Lamp
 Telescopic Focusing Lens
 Music Pulse Lamp
 Sound Alarm
 Wireless Speaker
 Discharge Interface
 Tail Switch

Play the music with the Wireless Speaker

- Long press the Music Button **♪** for 1.5 seconds and shows green light.
- Check your mobile phone Bluetooth Device and then connect to NexTool Thunder.
- It will show Blue Light after successful connection. You could play music with wireless speaker.
- In the music mode, long press the **▶** **▶** button for 2 seconds and reset the wireless speaker connection.

INSTRUCTIONS

- 1. Turn On / Off**
 Press down the switch **⏻** for 1.5s to turn on the light and then press down again for 1.5s to turn off.
- 2. Flashlight Brightness Adjustment**
 Press the +/- button to adjust the brightness.
- 3. Flashlight Color Modes Adjustment**
 When using the flashlight, press the button to switch **⏻** between different color modes: White →Red →Green →Blue
- 4. Side Lamp Brightness Adjustment**
 When the flashlight is in the normal state, double-click the button quickly to switch **⏻** between the Flashlight and Side Lamp modes.
- 5. Side Lamp / Warning Lamp / Sound Atmosphere Lamp**
 In the Side Lamp mode, press the main switch **⏻** continuously to switch between White light →Colorful Graduated →Sound Atmosphere Lamp →Red Light →Red Flash Light
- 6. Music Mode Switch and Connection**
 Long press the music button **♪** for 1.5 seconds to start/close the music mode. After startup, the side light of the device shows Green while it is not connected to the audio source. The blue light will show after successful connection, and the connection light will turn off after music is played.
- 7. Music Mode Pauses and Plays**
 You can pause or play the music by clicking the music button **⏸**
- 8. Music Mode Switch Song**
 While playing the music, you can click the **⏮** **⏪** button to play the next song, double click the **⏮** **⏪** button to play the last song.
- 9. Music Mode Volume Adjustment**
 Volume Adjustment: In the music mode Long press the +/- button to adjust the volume of speaker.
- 10. Music Pulse Lamp**
 While playing the music, double click the music button to turn on/ turn off the music pulse lamp.
- 11. Buzzer Alarm Mode**
 Long press the button **⏻** for 3.5 seconds in any mode, you could turn on / turn off the buzzer alarm mode. In Buzzer Alarm Mode, the flashlights and side light all flashing alarm cycle (Flash three times to switch one color) with a warning alarm.
- 12. Directly shutdown Mode**
 Long press the **▶** **▶** button for 4 seconds in any mode will directly shutdown the flashlight.

13. Type-C Charging

Follow the turning marked to turn on the flashlight bottom until you see the USB Type-C charging interface. Use the 5V ↔1A power supply or USB adapter with the Type-C cable to charge the flashlight. (When charging, the indicator light will be flashing red. It will be flashing red when it is full)

14. Emergency Charger

Rated output capacity of USB-A interface at normal temperature: 1400mAh (5V ↔1A). (The discharge indicator shows steady blue when the USB-A starts discharging, and turns off after the discharge indicator 32 seconds after the USB-A stops discharging). Turn on or USB-A to discharge, the discharge indicator will light up. When the blue discharge indicator blinks, it will be a warning of low power. Please charge the flashlight in time.

SAFETY CAUTIONS

- When the light is stained with sea water or corrosive articles please clean and dry promptly.
- The battery of this product contains lithium-ion cell. It is strictly forbidden to take apart the battery shell without permission to avoid possible damage to the cell or other hazards;
- It is strictly forbidden to disassemble, squeeze, puncture, short-circuit this product, throw it into a fire or expose it to an environment with a temperature higher than 60°C;
- Due to the strong light of the flashlight, please do not let children play with it and do not irradiate on human eyes to avoid harm to the eyes

WARRANTY

This warranty policy is a legal document we manufacturer provide for our end user, stipulating warranty services and other related matters. Please keep it properly. If the retailer or other third party whom you buy the product from declares that it will provide warranty service or other more services, the warranty service or other services will be provided by the retailer or other third party.

1. Instruction

This warranty service is only applicable to the product or its parts that meet the factory's normal use within the warranty period when there is a performance failure within the warranty scope. The definition of performance failures within the warranty scope, if the country has relevant regulations, shall be based on national regulations; if there are no regulations, we will determine it in accordance with this warranty policy.

2. Warranty period

The warranty period is one year from the date of delivery of the product. The delivery date of online, telephone or other off-site transactions is the same as delivery date recorded by the third-party logistics; in other cases, the invoice date should be regarded as delivery date, but if you can effectively prove that the invoice date is earlier than the actual delivery date and it is not caused by your end, the actual delivery date shall prevail with our confirmation. If you are unable to provide valid third-party logistics delivery information or invoices, the warranty date will be calculated from 30 days after the product leaves the factory. Please see the warranty card for the specific warranty period and other matters.

3. How to access to our services

Below optional methods for you to contact us for warranty service:
 A. Service hot-line: 86-662-3692722
 B. Contact the selling platform where you buy the product.
 For warranty application, please submit clear, complete and correct documents including ① invoice; ② warranty card; ③ Order information on E-commerce platform (if applicable).
 If you cannot provide above proofs indicating the source of the product, you will not be able to obtain warranty service.

4. Warranty policy

- Within 7 days since the start of the warranty period, if the product has a performance failure, and it is confirmed by us or our authorized after-sales service center, you can enjoy the repair or replacement service for free. For replacement product, the warranty period will be recalculated.
- Within 8-15 days since the start of the warranty period, if the product has a performance enjoy failure, and it is confirmed by us or our authorized after-sales service center, you can free replacement or repair services. For replacement product, the warranty period will be recalculated.
- Within 12 months since the start of the warranty period, if the product has a performance failure, and it is confirmed by us or our authorized after-sales service center, you can enjoy free repair or component replacement services. The repaired product or product with replaced components will continue to enjoy the warranty service during the remaining of the original product. If the remaining warranty service period is less than 3 months when warranty period the repair or component replacement occurs, the remaining warranty period will be extended to 3 months.
- When return or replacement is required, the product should be in original condition in complete packaging. The main product itself as well as all the accessories should be without any damage, scratches or breakage. For repairs, new components become part of your product, and the components replaced should be returned to us.

5. For product hardware failures within scope of warranty, we will bear the logistics costs as well as other costs incurred by the warranty. For the failures or damages that are confirmed not in the coverage of warranty, unless otherwise specified at that time, you shall bear the round-trip freight (if any) and the risks in the transportation process.

5. Non-warranty coverage

This service policy will not be applicable under following conditions:
 1) Failures or damages caused by improper physical or operating environment, force majeure, improper maintenance or storage, such as misuse, accident, modification, private dismantling, liquid intake, etc.
 2) Unauthorized organization or personnel dismantle or repair without our authorization;
 3) Discoloration, wear and consumption during use;
 4) The relevant labels and marks of the products or parts are changed or removed, such as the product information or serial number on the warranty certificate does not match the actual product, or has been altered;
 5) Components with obvious damages by hard objects, scratching marks, broken corners, severe deformations and other breakages.
 6) Warranty period expires.

6. Paid services

For product failures beyond the warranty period or outside the scope of the warranty service, we will provide paid professional repair services if it is confirmed within our service scope. With your knowledge and agreement, the old components replaced will be recycled when repaired. Unless expressly agreed otherwise, we will provide a 90-day warranty for the repaired or replaced components.

7. General terms

This service policy applies to the laws of mainland China (excluding its conflict laws). If any dispute arises due to the matters under this document and the friendly negotiation fails, it will be submitted to the People's Court with jurisdiction in Jiangcheng District, Yangjiang City for ruling.

WARRANTY CARD

Product Description	Name	Model#	Phone
User Information	Name	Address	
	Address	Phone	
	Address/Website	Invoice#	
Retailer Information	Date sale		

For after-sales service needs, please contact the customer service department
 After-sales service phone: 86-662-3692722
 Business hours: Mon. to Sun. 8:00-17:15
 Manufacturer: BINOVO MANUFACTURING CO., LTD.
 Address: B9-3 Yinling Technology Industrial Park, Jiangcheng District, Yangjiang, Guangdong, China